



MOPAR®

# DVD REAR SEAT VIDEO SYSTEM CHRYSLER 300, DODGE MAGNUM, DODGE CHARGER

## INSTALLATION INSTRUCTIONS

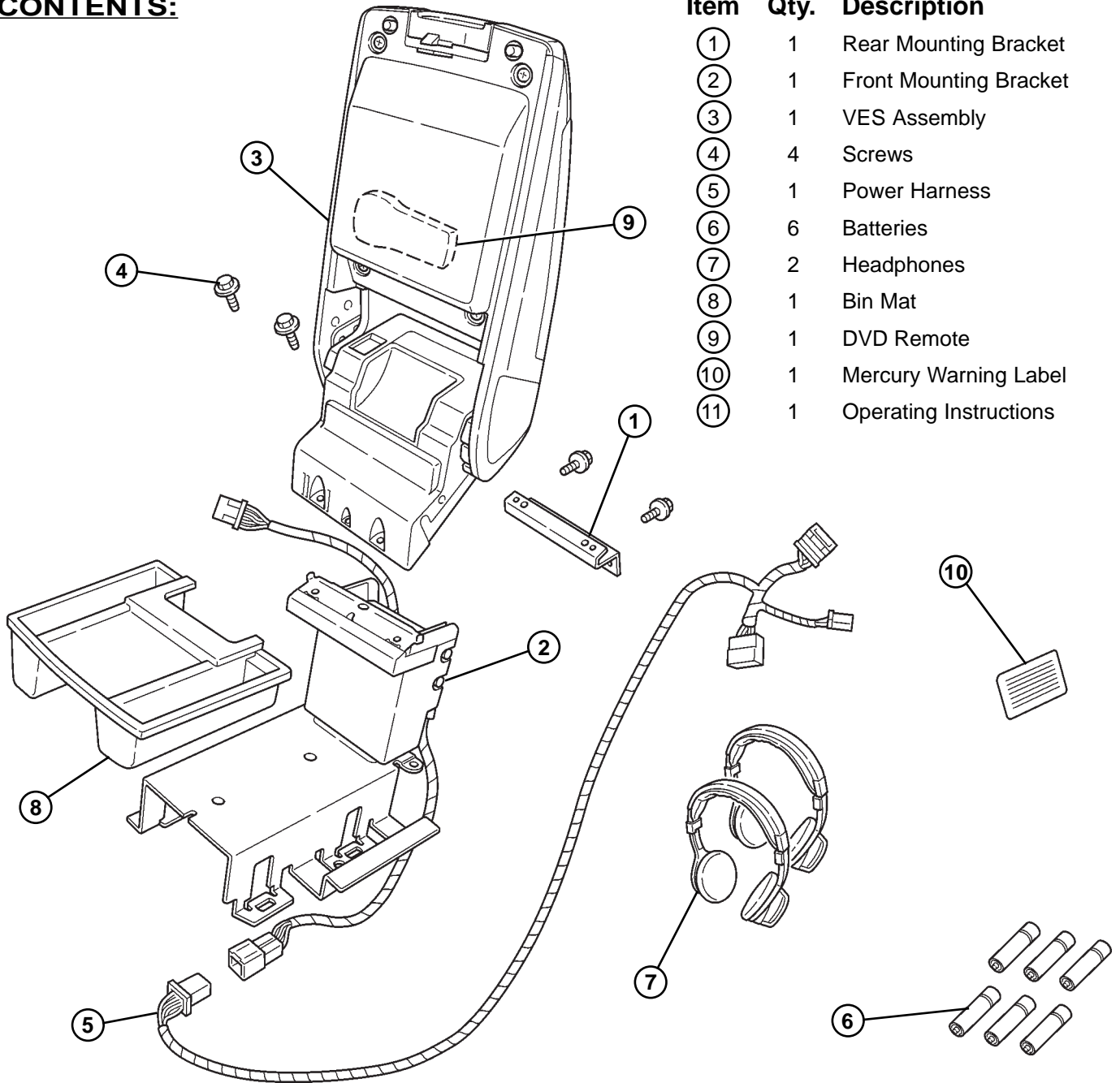
*Vehicles equipped with a REF Radio will require a Premium Radio upgrade so that the vehicle speakers will function when a DVD is playing.*

### TOOLS REQUIRED:

- 8mm, 10mm Sockets
- Socket wrench
- Long extension
- Phillips driver
- Non-metal trim stick
- Small metal scale
- Sharp metallic pencil
- Utility knife
- Air saw
- Drill motor
- 6mm Drill bit
- Air wrench
- Serrated grinding bit
- Diagnostic STAR SCAN tool

### CONTENTS:

Item	Qty.	Description
①	1	Rear Mounting Bracket
②	1	Front Mounting Bracket
③	1	VES Assembly
④	4	Screws
⑤	1	Power Harness
⑥	6	Batteries
⑦	2	Headphones
⑧	1	Bin Mat
⑨	1	DVD Remote
⑩	1	Mercury Warning Label
⑪	1	Operating Instructions



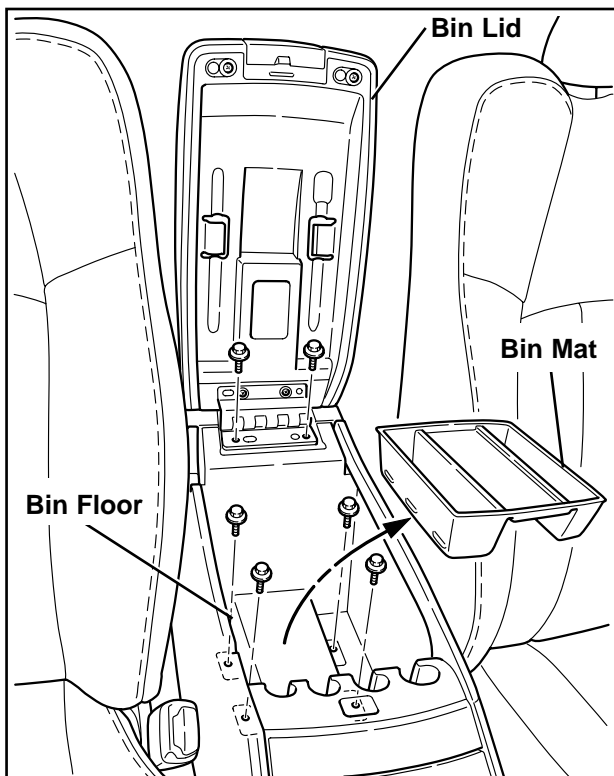
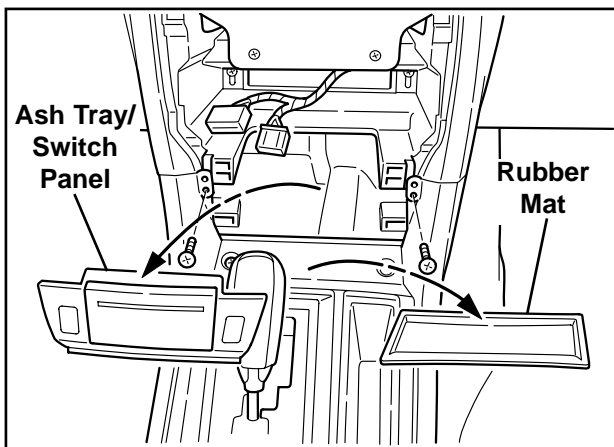
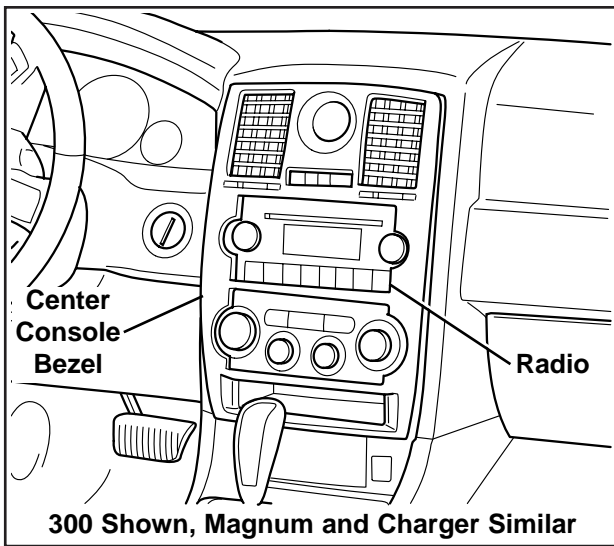
## A - Interior Trim Panel and Component Removal

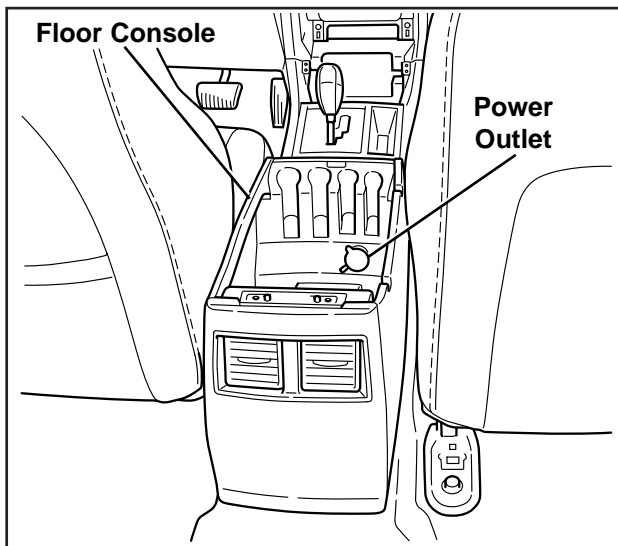
- 1) Position shift lever to neutral (N) and engage the parking brake.
- 2) Open the trunk/liftgate, raise up carpet liner and locate vehicle battery at the right quarter panel.
- 3) Disconnect and isolate negative battery cable.
- 4) Remove center console bezel using a non-metal trim stick. Unplug all connectors.
- 5) Remove the radio (four phillips screws).

- 6) Remove center console rubber mat.
- 7) Remove ash tray/switch panel. Unplug all connectors.
- 8) Remove two floor console mounting screws. Save for re-use.

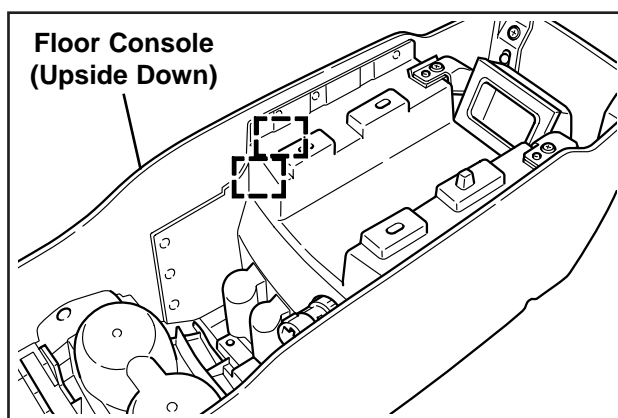
- 9) Open the floor console bin lid.
- 10) Remove and discard bin mat.
- 11) Remove and discard bin lid. Save two phillips screws for re-use.
- 12) Remove 3-4 screws from bin floor (8mm wrench). Save for re-use.

**NOTE: Vehicles built before January 2005 will have 3 screws, vehicles built after will have 4 screws.**





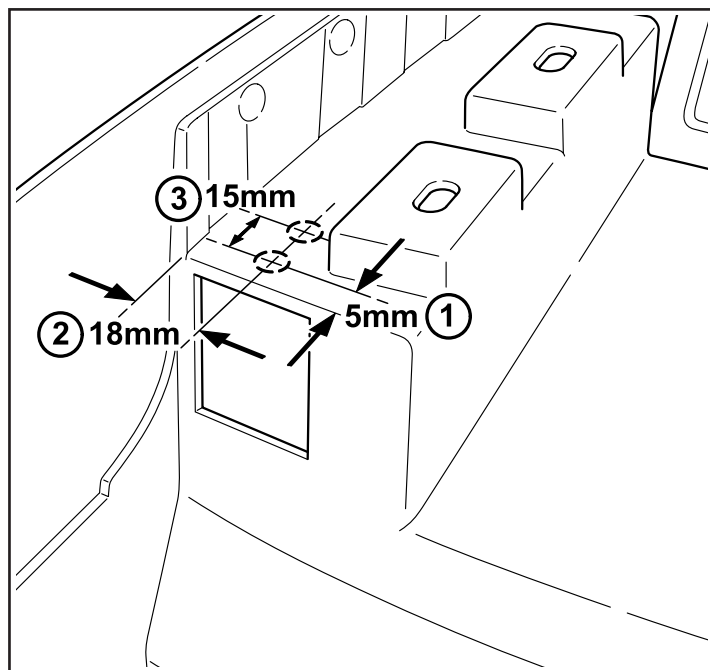
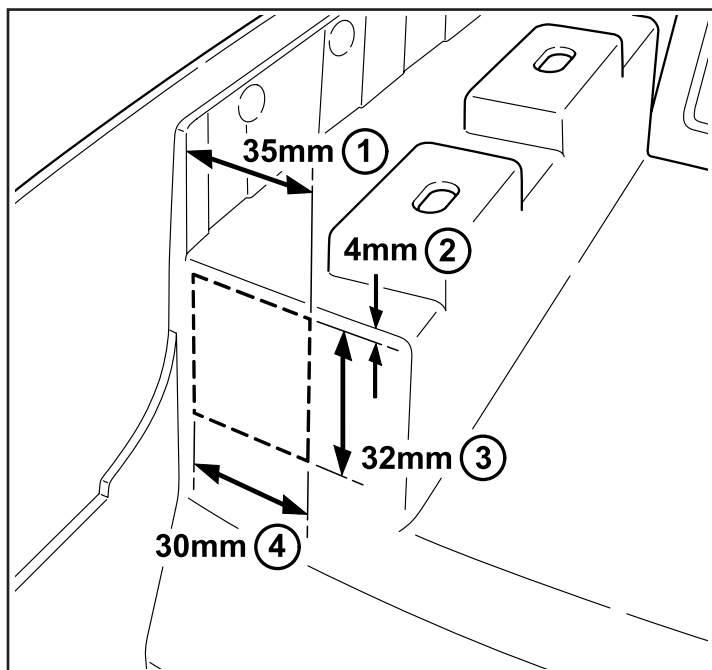
- 13) Pull out and disengage floor console wings from the center console.
- 14) Lift up the front of floor console and unplug 3-way power outlet connector.
- 15) Carefully move floor console into the back seat and out of the right rear door opening.
- 16) Place floor console upside down on a clean, protected surface.

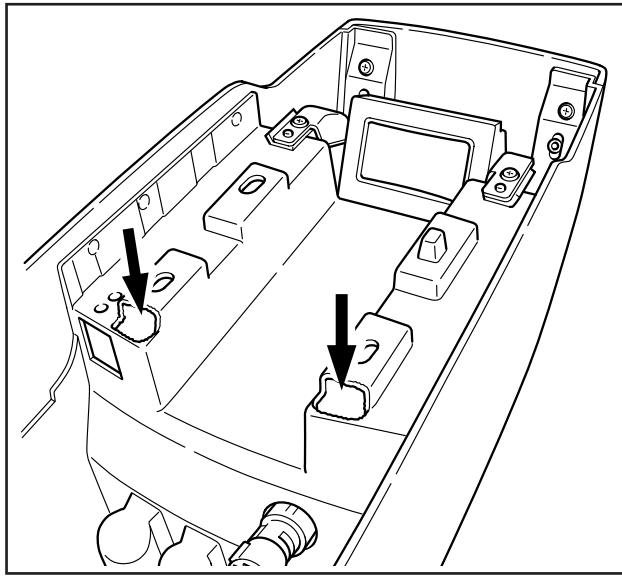


***B - Modify Floor Console:***

- 1) The two areas shown at left must be trimmed/drilled to accommodate the VES front bracket 12-way connector. Follow the measurements shown below.

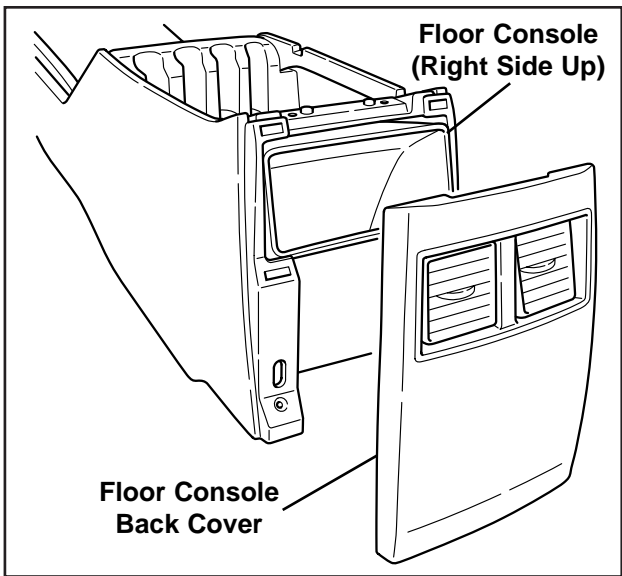
- 2) Measure/mark as shown and trim out connector opening using a sharp utility knife or air saw.
- 3) Measure/mark as shown and drill two 6mm connector mounting holes.





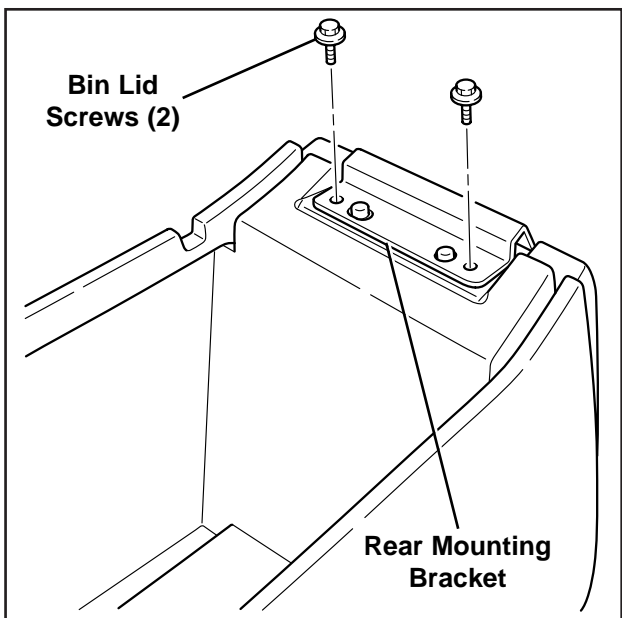
**NOTE: Step 4 applies only to vehicles built before January 2005.**

- 4) Trim out console bin floor as shown to accommodate the VES front mounting bracket. Use an air wrench with a serrated grinding bit.

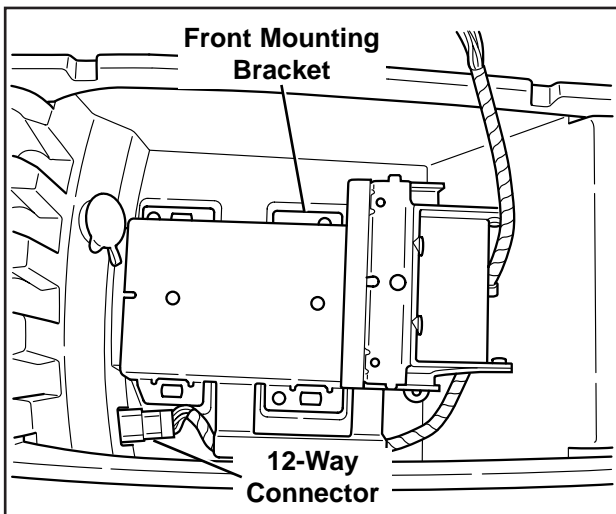


***C - Install Mounting Brackets and VES assembly:***

- 1) Remove two phillips screws from floor console back cover. Save for re-use.
- 2) Rotate the floor console right side up.
- 3) Remove the back cover.



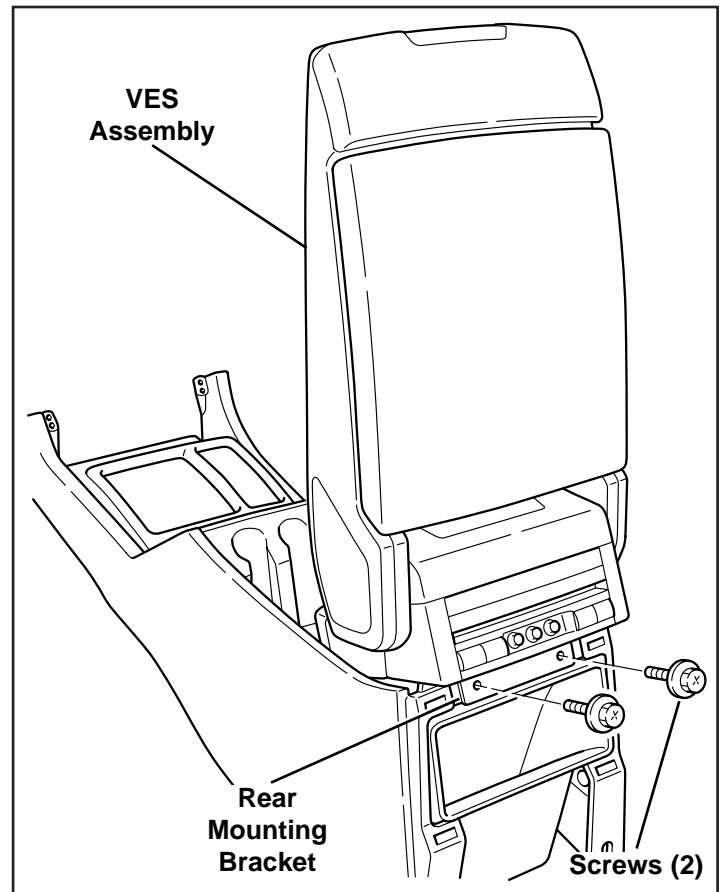
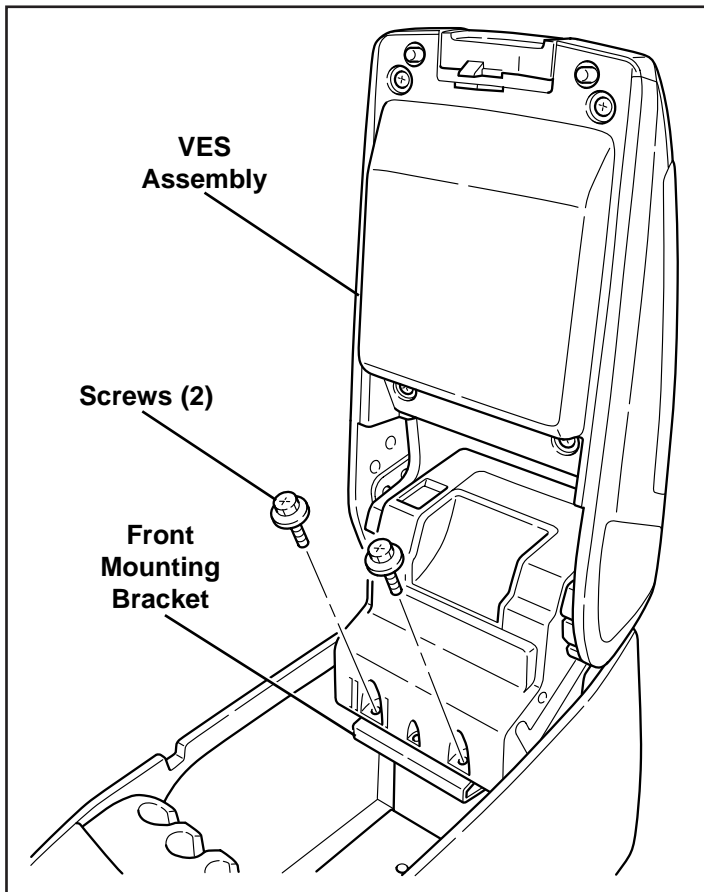
- 4) Install rear mounting bracket (Item 1) to top of console bin using two previously removed screws from the discarded console bin lid.



- 5) Place front mounting bracket (Item 2) inside console bin as shown.
- 6) Route the 12-way bracket connector through previously trimmed opening and snap connector into two previously drilled holes.

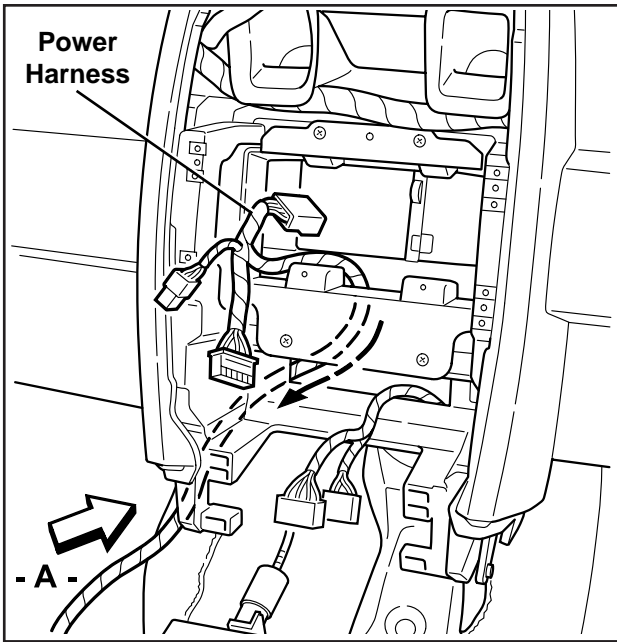
7) Plug 10-way bracket connector into VES assembly (Item 3).

8) Install VES assembly to front and rear mounting brackets using four supplied screws (Item 4) as shown below (8mm wrench).



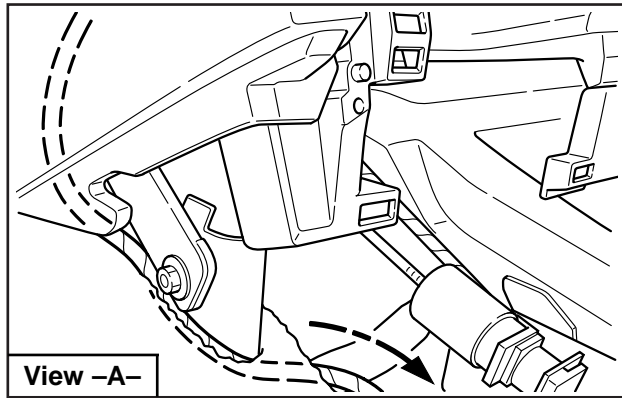
9) Close VES assembly lid and re-install the floor console back cover.

10) Carefully rotate the floor console assembly upside down and re-install two back cover mounting screws.



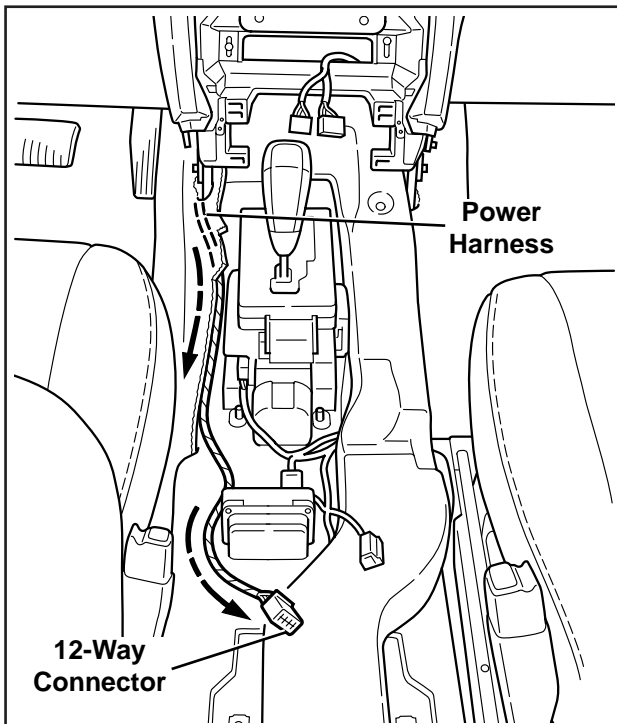
***D - Install Power Harness:***

- 1) Route power harness (Item 5) 12-way connector into radio opening.
- 2) Pull harness through bottom left opening of center console as shown.



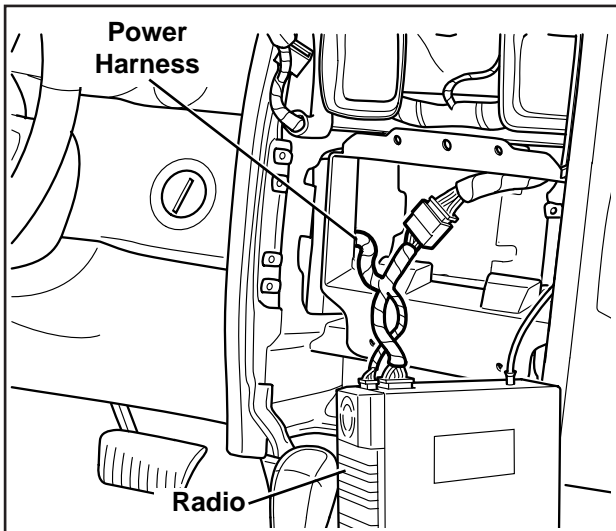
- 3) Route power harness rearward and inside of carpet liner.

**NOTE: Keep harness clear of the spring-operated cup holder in the center console.**



- 4) Position power harness 12-way connector in the location shown.

**NOTE: Secure harness away from any heat sources, sharp edges, or moving parts.**



- 5) Plug 22-way connectors in-between the radio and radio harness connector.
- 6) Plug 10-way connector into the radio.

**NOTE:** For vehicles sold in U.S.A. only: If there is a 10-way connector already present in the radio, it means that the vehicle is equipped with Satellite Radio (SDARS). Refer to the following procedure (A-F) and graphic:

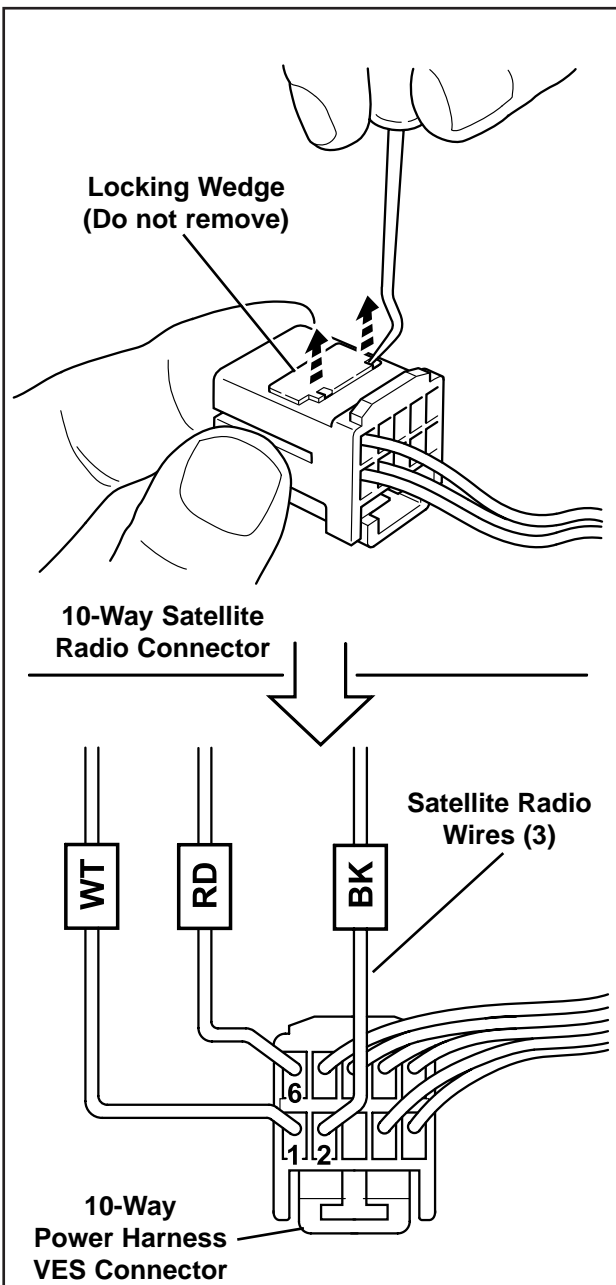
- a) Unplug 10-way connector from the radio.
- b) Using a hooked pick tool lift up the connector locking wedge slightly (do not remove it entirely).

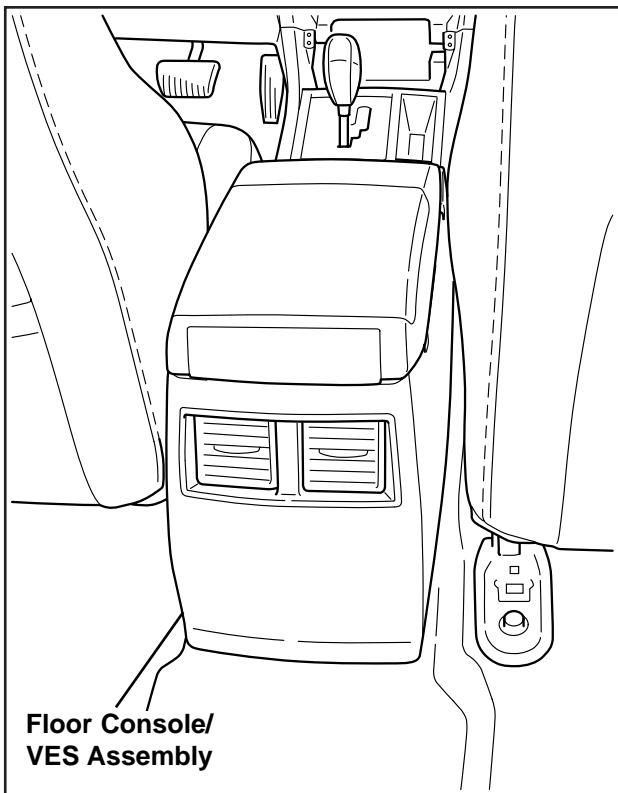
**NOTE:** Before removing wires from connector, label them with the connector cavity numbers.

- c) Remove the three wires from connector and discard it.

**NOTE:** Connector wires in vehicle with factory installed satellite radio will all be dark green. Make sure to insert them into the correct\ matching cavities of the power harness connector. Reference service manual if needed.

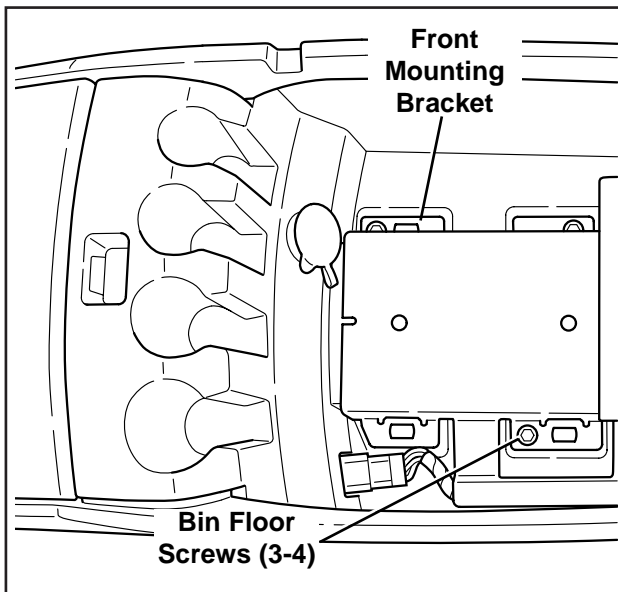
- d) Lift up the 10-way power harness connector locking wedge slightly.
- e) Insert the three wires into 10-way power harness connector as shown at left. Wire colors shown are from Mopar satellite radio harness.
- f) Engage locking wedge and plug connector into the radio.





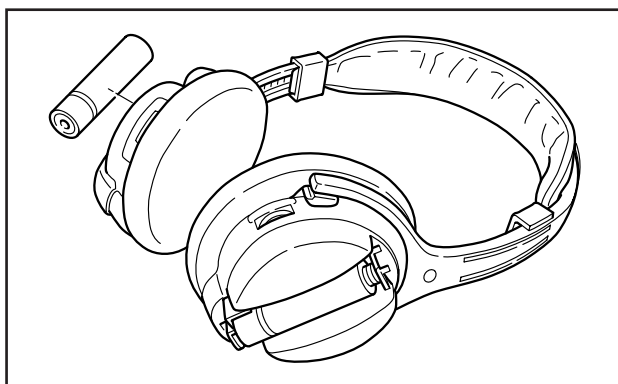
- 7) Rotate the floor console assembly right side up and holding on to the bottom of console bin, carry it back to the vehicle.
- 8) Carefully place the console front first into the right rear door opening and onto the back seat.
- 9) Lift up console from the bottom and lower it loosely back into position.
- 10) From the front seat, lift up front of console and plug-in 12-way power harness connector and 3-way power outlet connector.

**NOTE:** Make sure the power harness remains under the carpet liner to prevent rattles.

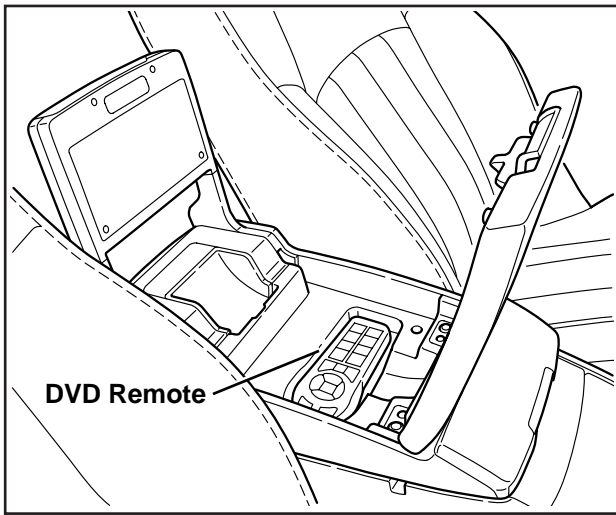


***E - Finalize the installation:***

- 1) Open the VES assembly lid and re-install 3-4 previously removed screws through the VES front mounting bracket and console bin floor.
- 2) Re-install two floor console mounting screws at the center console.
- 3) Re-install all other previously removed and saved components, panels, and fasteners.
- 4) Re-connect the vehicle's battery.



- 5) Place supplied batteries (Item 6) into both head-phones (Item 7) as shown.



- 6) Place supplied bin mat (Item 8) inside of the console bin.
- 7) Close the VES assembly lid and open the assembly as shown.
- 8) Remove DVD remote (Item 9) and install batteries.
- 9) Peel and stick mercury warning label (Item 10) to lower portion of forward facing surface of the left (driver's side) B-pillar.

***F – Perform Operation Test:***

- 1) Turn on ignition and the unit will power up.
- 2) Use a diagnostic STARSCAN tool so that the Front Control Module (FCM) is reconfigured and recognizes the Video Entertainment System (VES). Follow the procedure shown below.

***IN THE INITIAL START UP SCREEN***

- PRESS -----
- TOGGLE DOWN AND HIGHLIGHT -----
- PRESS -----
- PRESS -----
- TOGGLE DOWN AND HIGHLIGHT -----
- PRESS -----

***FOLLOW ON SCREEN PROMPTS***

(I.E. CYCLE IGNITION KEY)

- PRESS -----
- PRESS -----

- 3) Insert a known good DVD into the player.
- 4) Verify function of headphones and DVD remote using supplied Operating Instructions (Item 11).
- 5) Place Operating Instructions in the vehicle's glove box.